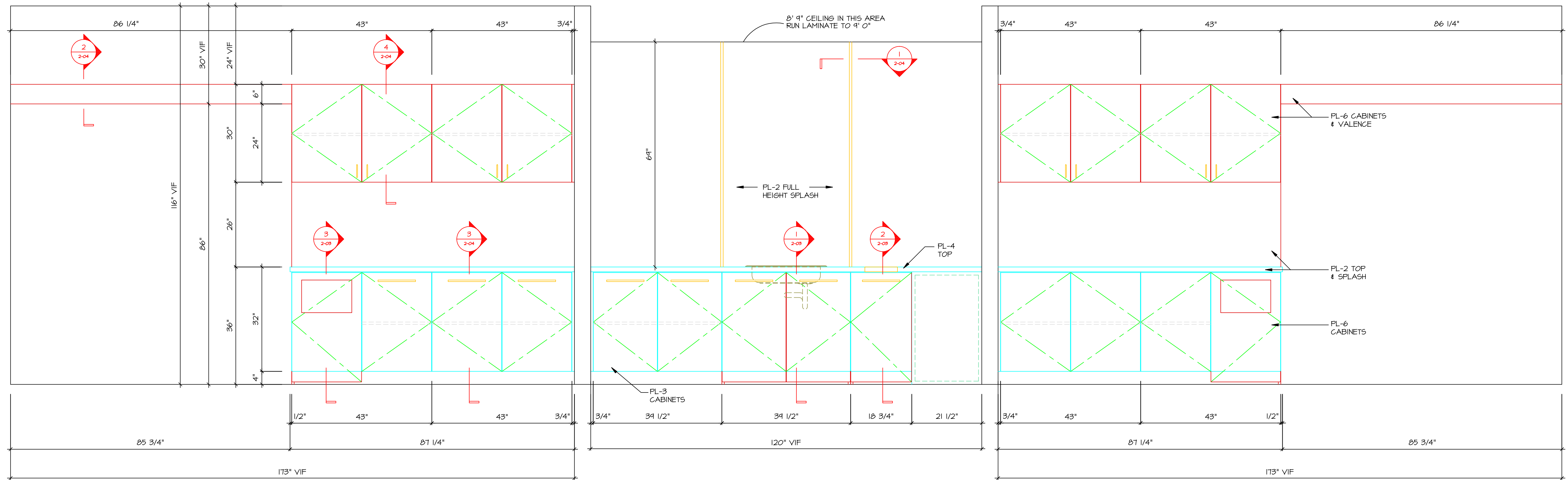


PLAN- EAST PANTRY --121
 3/4" = 12"
 ref. 3/AT.2



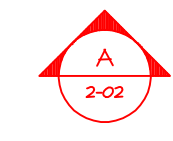
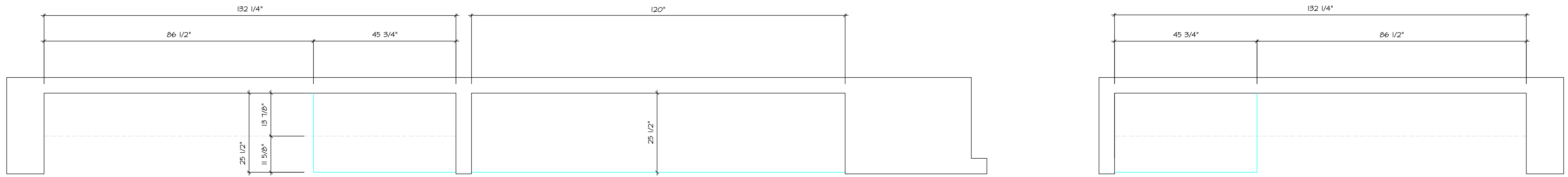
ELEVATION- EAST PANTRY --121
 3/4" = 12"
 ref. 3/AT.2

ROOM SCHEDULE	
EAST PANTRY 08121	
EAST PANTRY 09121	
EAST PANTRY 10121	
EAST PANTRY 11121	
EAST PANTRY 16121	
5 REQUIRED	

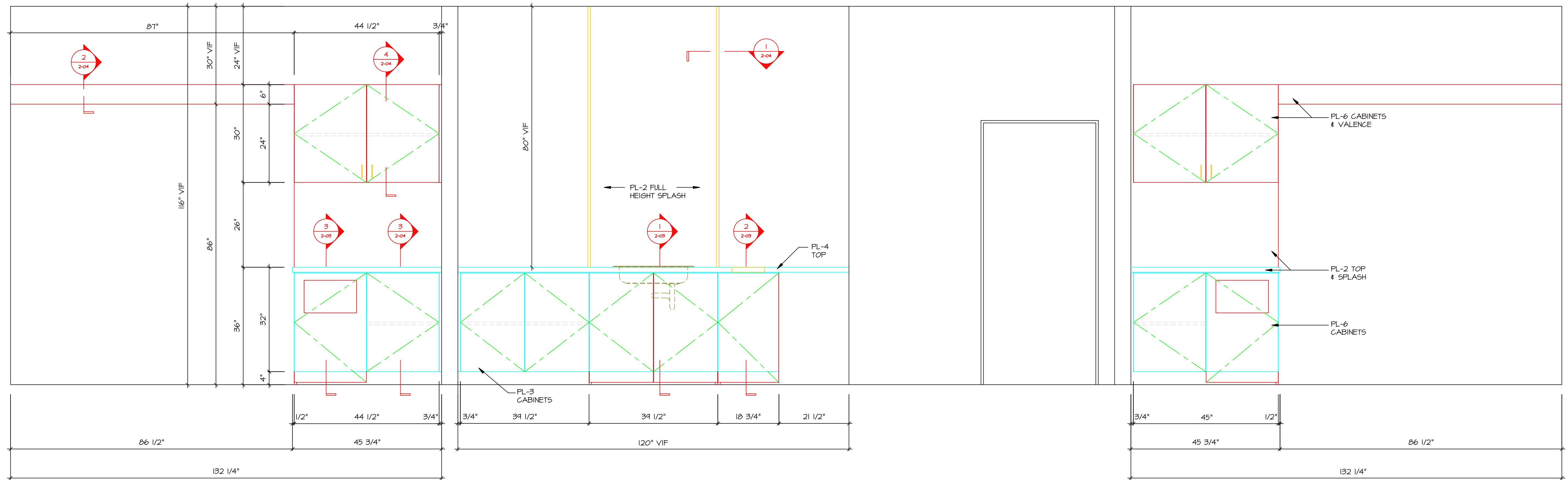
HARDWARE NOTE:
 PULLS: HAFELE #116,09,611 VERTICAL
 PULLS: HAFELE #106,14,914 HORIZONTAL
 CLIP: KV-211

MATERIAL NOTE:
 PL-2 = PIONITE #54826
 SUEDE ANGLE WHITE
 PL-3 = ABET LAMINATI #381
 MICROLINE
 PL-4 = PIONITE #44826
 SUEDE ANGLE WHITE
 PL-6 = TO BE DETERMINED

JOB	REVISIONS	for sample only	JOB NO.	JOB
JOB1	REV1		DRAWN BY	DRWN
JOB2	REV2		DATE	DATE
JOB3	REV2		SHEET NO.	2-01
CONTRACTOR	REV3			
CONTR	REV3-D			
ARCHITECT	REV4			
ARCH	REV4-D			
	REV5			
	REV5-D			
	REV6			
	REV6-D			



1 PLAN- EAST PANTRY --121
2-02 3/4" = 12"
ref.



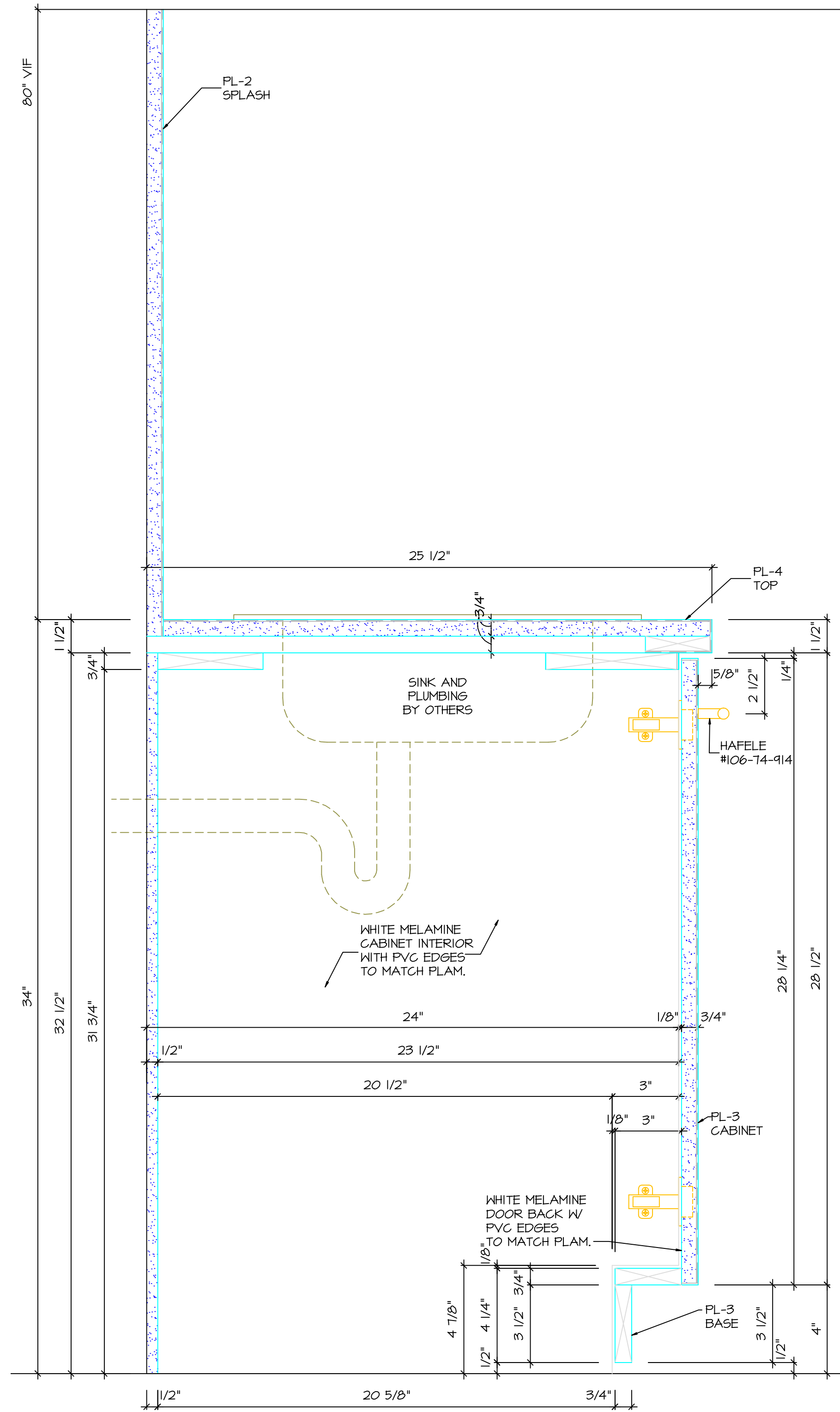
A ELEVATION- EAST PANTRY --121
2-02 3/4" = 12"
ref. 4/AT.2

ROOM SCHEDULE	
EAST PANTRY 12121	
EAST PANTRY 13121	
EAST PANTRY 15121	
EAST PANTRY 17121	
4 REQUIRED	

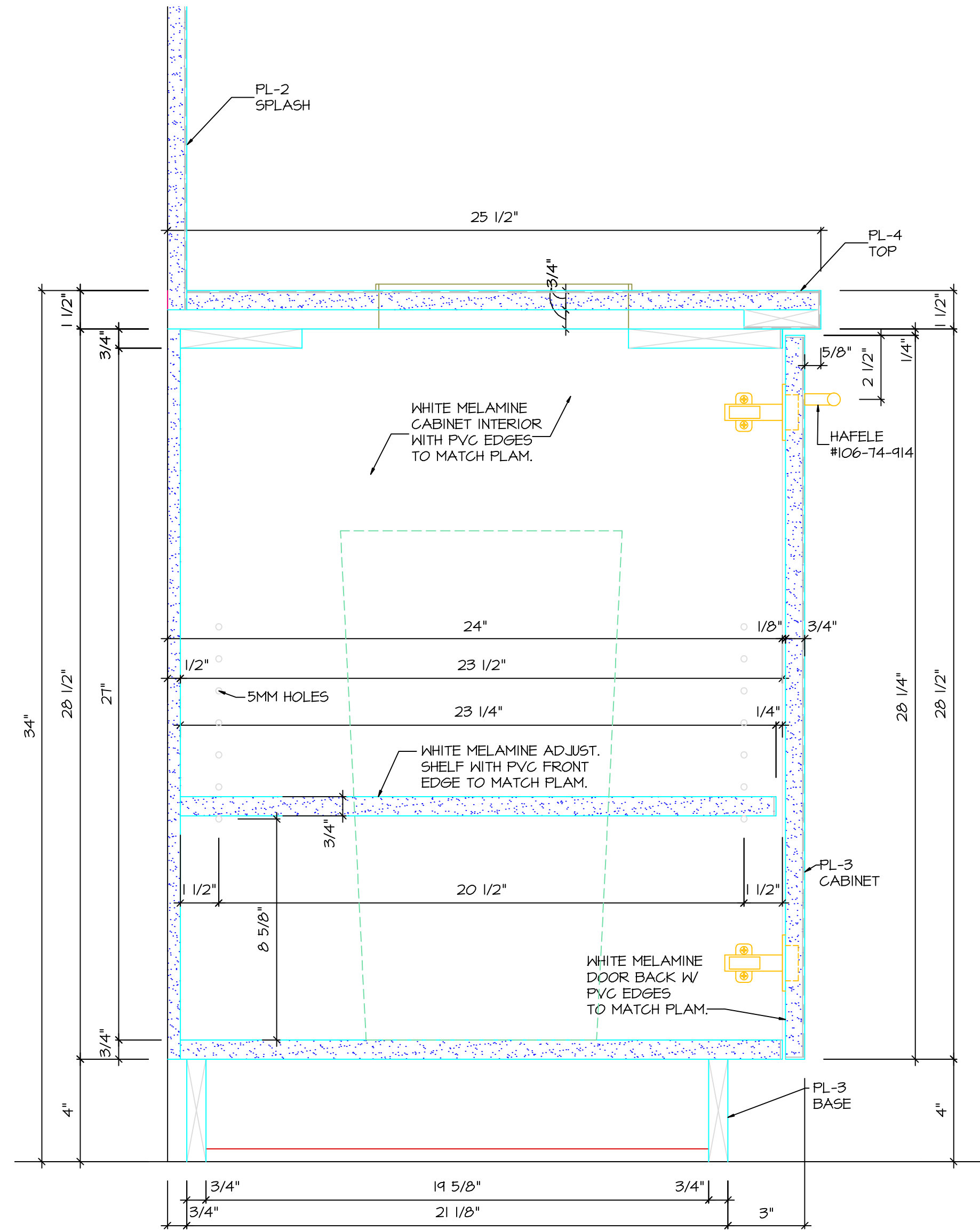
HARDWARE NOTE:
PULLS: HAFELE #116,091,611 VERTICAL
PULLS: HAFELE #106,74,914 HORIZONTAL
CLIP: KV-211

MATERIAL NOTE:
PL-2 = PIONITE #54826
SUEDE ANGLE WHITE
PL-3 = ABET LAMINATI #381
MICROLINE
PL-4 = PIONITE #C4826
SUEDE ANGLE WHITE
PL-6 = TO BE DETERMINED

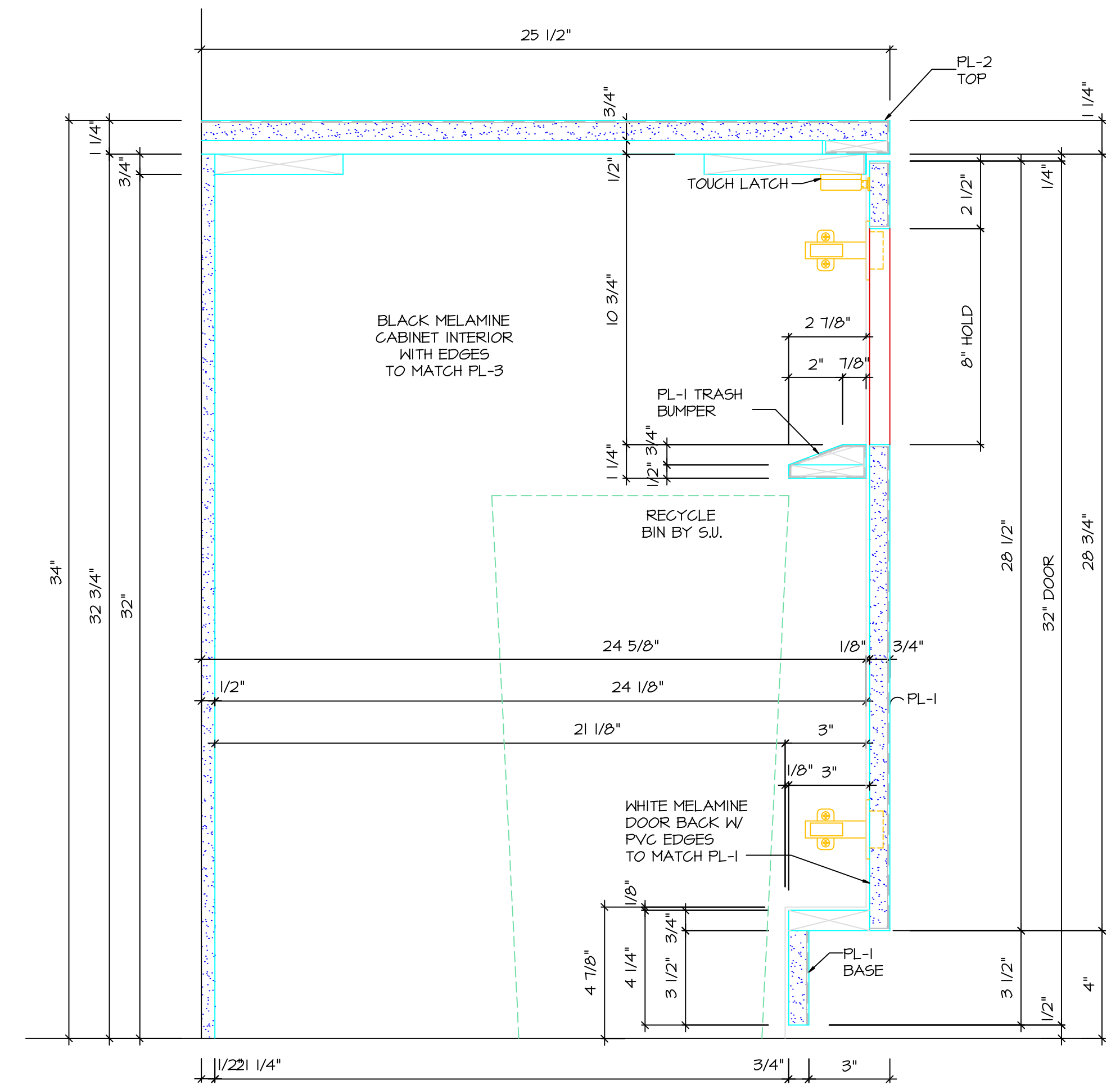
JOB	REVISIONS	for sample only	JOB NO.	JOB
JOB1	REV1		DRAWN BY	DRWN
JOB2	REV2		DATE	DATE
JOB3	REV3		SHEET NO.	2-02
CONTRACTOR	REV4			
CONTR	REV5			
ARCHITECT	REV6			
ARCH	REV7			
	REV8			



1 VERTICAL SECTION
2-03 3\"/>

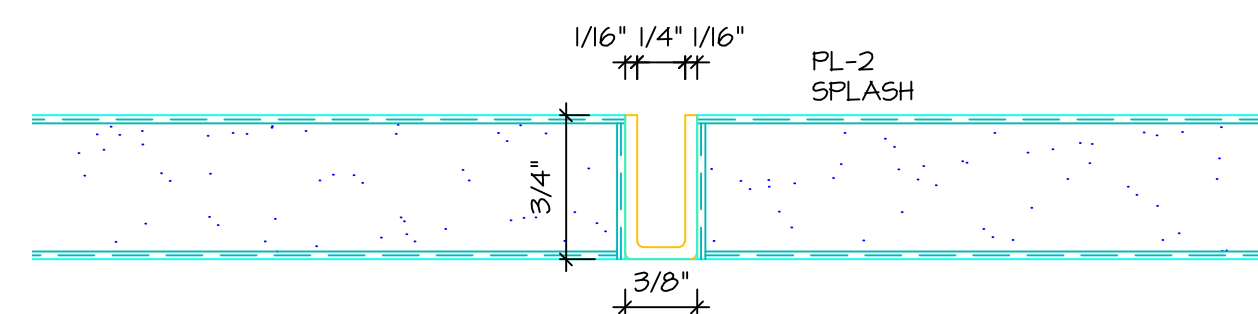


2 VERTICAL SECTION
2-03 3\"/>

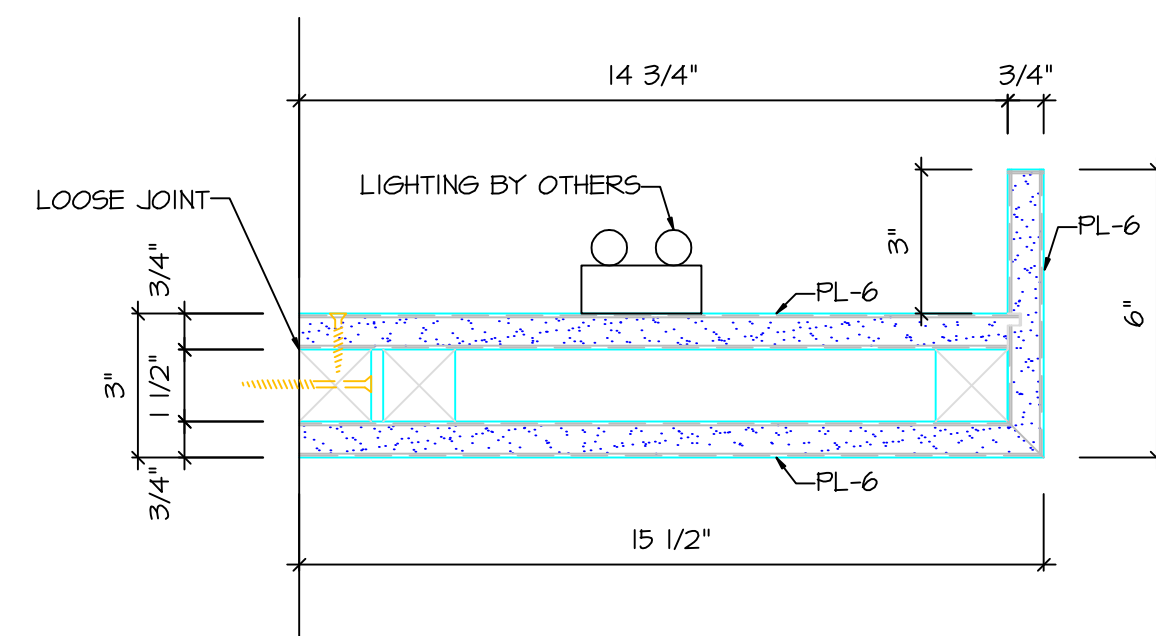


3 VERTICAL SECTION
2-03 3\"/>

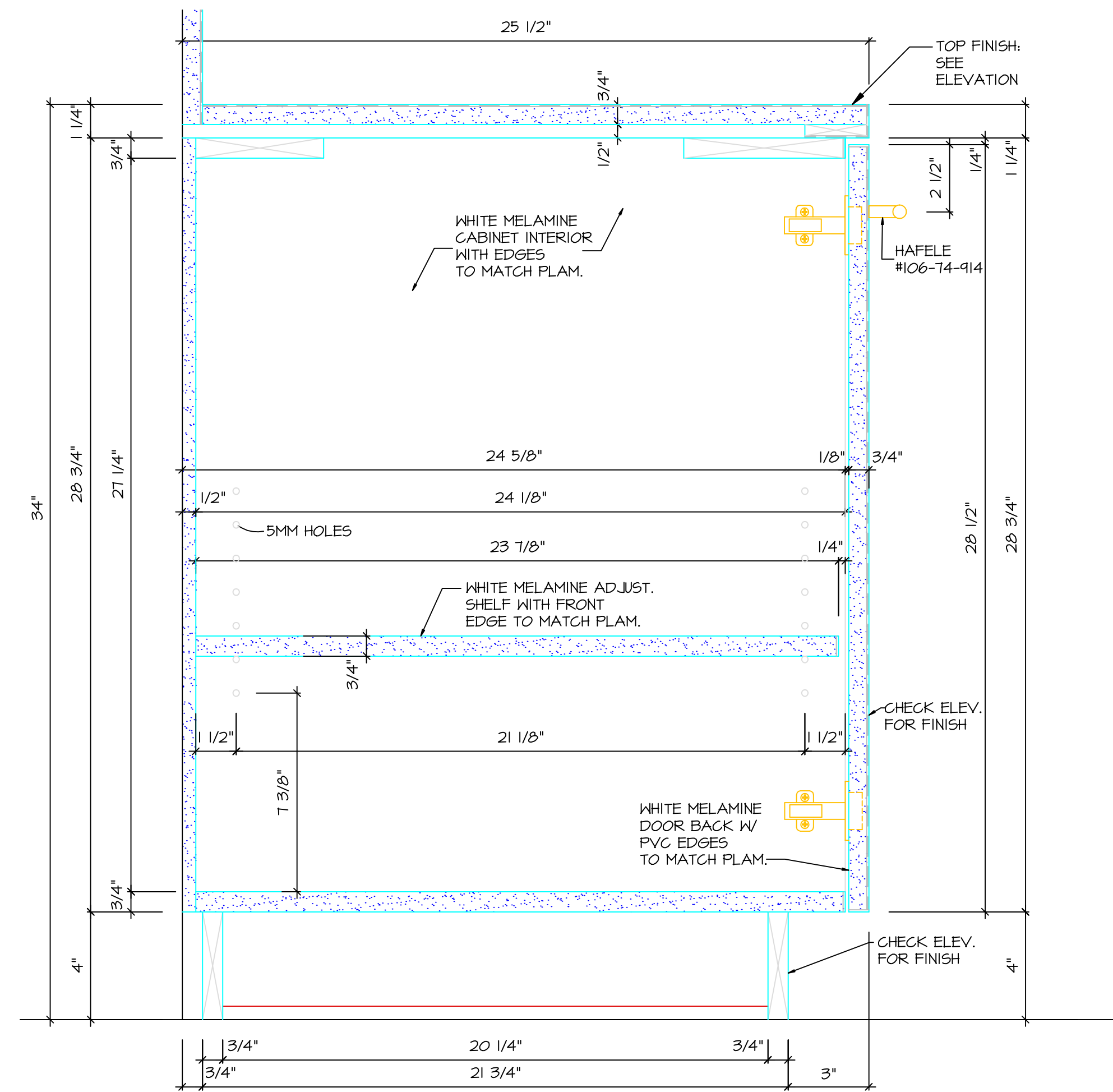
JOB	REVISIONS	for sample only	JOB NO.	JOB
JOB1	REV1		DRAWN BY	DRWN
JOB2	REV2		DATE	DATE
JOB3	REV3		SHEET NO.	2-03
CONTRACTOR	REV4			
CONTR	REV5			
ARCHITECT	REV6			
ARCH	REV-D			



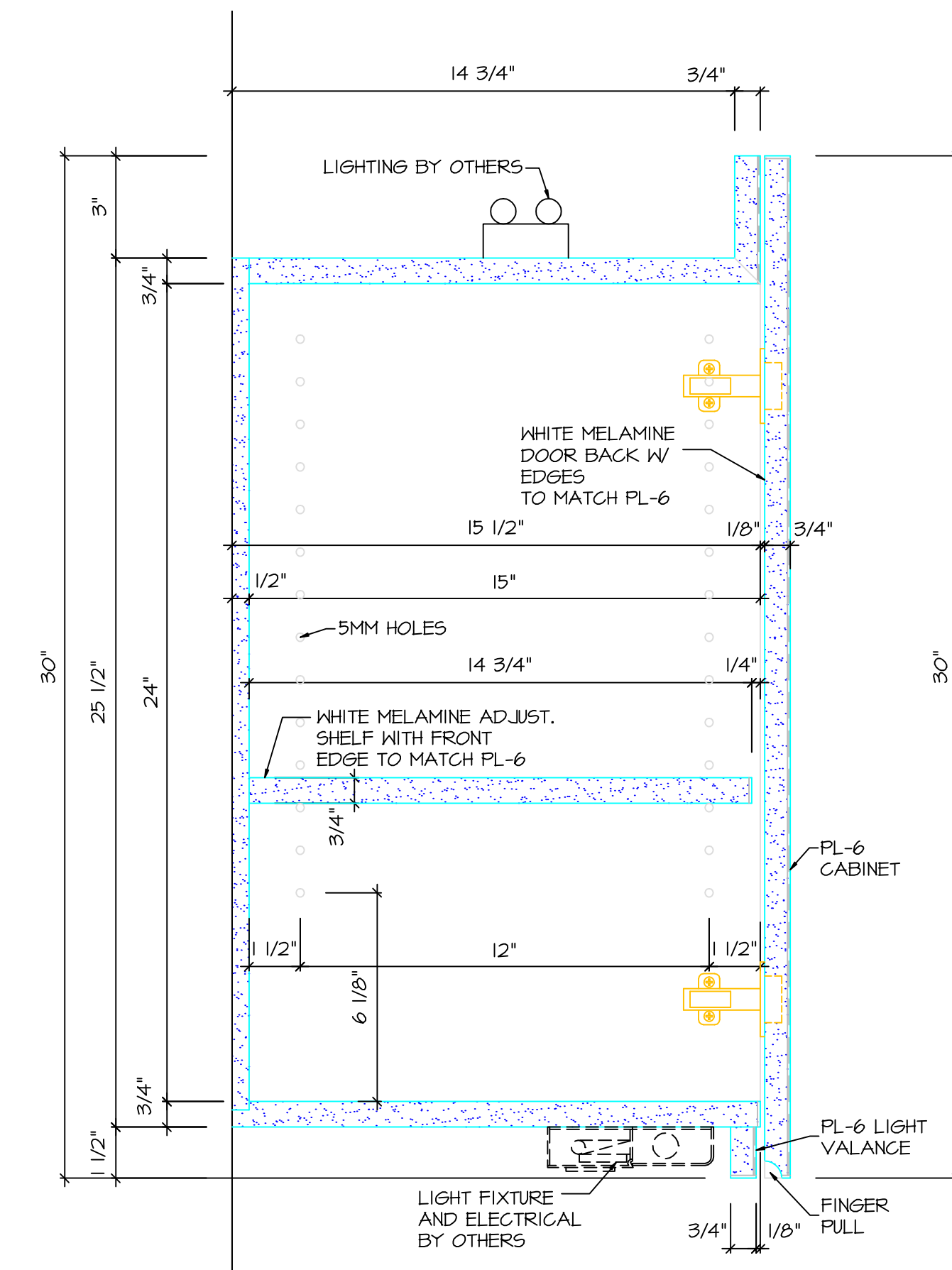
1 VERTICAL SECTION
2-04 3" = 12" ref.



2 VERTICAL SECTION
2-04 3" = 12" ref.



3 VERTICAL SECTION
2-04 3" = 12" ref.



4 VERTICAL SECTION
2-04 3" = 12" ref.

JOB	REVISIONS	for sample only	JOB NO.	JOB
JOB1	REV1		DRAWN BY	DRWN
JOB2	REV2		DATE	DATE
JOB3	REV3		SHEET NO.	2-04
CONTRACTOR	REV4			
CONTR	REV5			
ARCHITECT	REV6			
ARCH	REV-D			